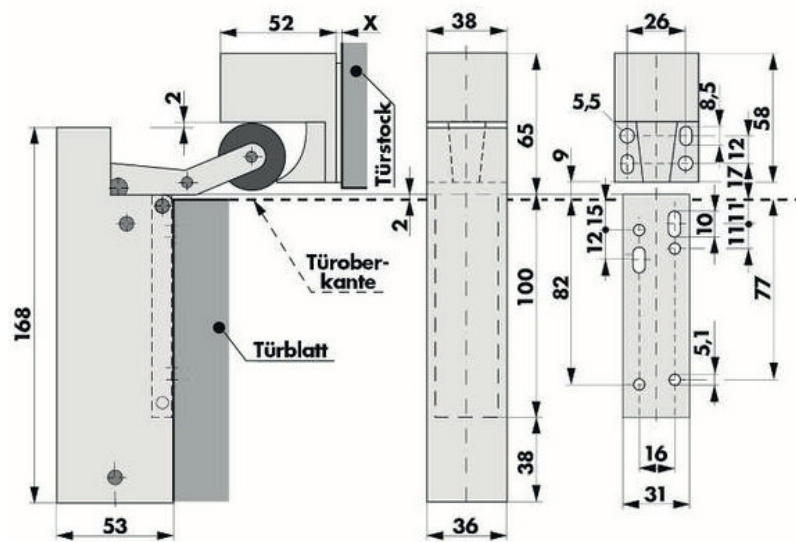


DIMENSIONS

All dimensions in mm



- Türstock > door frame
- Türoberkante > upper edge of door leaf
- Türblatt > door leaf

INSTALLATION

Vertical installation

The door damper VS 2000 is installed vertically on the door leaf using its pivoting base plate, usually centered on the upper edge of the door leaf. In case the door damper needs to be installed on the closing edge of the door, it's better to choose a model with 20 N closing force.

Installation steps

1. Fold out the base plate.
2. Place the base plate vertically against the door leaf, more or less centered on the upper edge.
3. Attach the base plate, first through just one of the slotted holes, so that the upper end of the base plate sticks out approx. 2 mm beyond the upper edge of the door (see "Dimensions").
4. Check that the door damper is positioned correctly and screw the base plate tightly with the 4 screws $\varnothing 4.5 \times 19$.
5. Swivel the housing downwards until it engages on the base plate.
6. Close the door.
7. Mark the outline of the housing on the door frame to determine the side position of the hook. The hook is at the correct height when the rubber roller just slightly touches the front edge of the hook when the roller lever is folded down.

Accessories

- For installation on thin steel doors, you'll need mounting plate part no. 205212.
- If you cannot use all 4 holes to fix the hook 1020 to the frame, there is mounting plate part no. 205232 available.

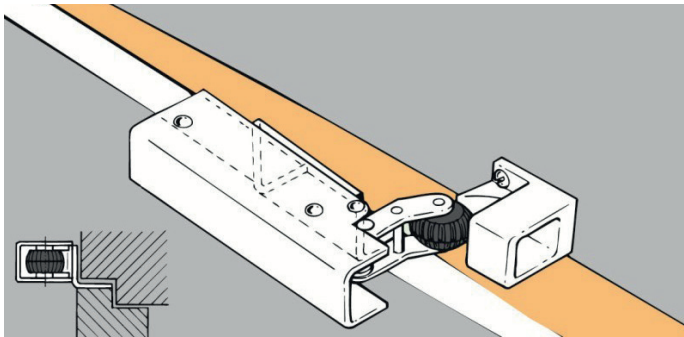
Horizontal installation

a) Installation without mounting bracket or mounting plate

In cases in which a vertical installation of the VS 2000 is not possible (e.g. glass doors, lack of space for the hook above the door, etc.) the door damper can also be installed horizontally (when there is enough space for the hook on its side). For optical and safety reasons it should be attached right at the top of the closing edge. The door damper and the hook have to be horizontally aligned.

Important: Take into consideration that the door damper works with its maximum force when installed directly at the closing edge. Especially for small children this could be too strong. We would be happy to help you choose a model with the appropriate closing force.

b) Installation with a mounting bracket

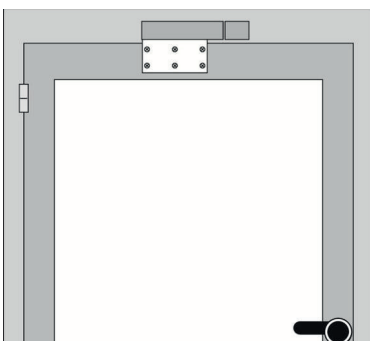


Normally, the more discrete mounting bracket is used. However, this requires a minimum clearance of 4 mm between the door and frame on steel/aluminum doors, as the mounting bracket is 3 mm thick. For wooden doors, the angle can be recessed.

There are 2 different types of mounting bracket available:

- Mounting bracket g for flush doors (part no. 205221)
- Mounting bracket a for overlapping doors (part no. 205220)

c) Mounting with a mounting plate



If a mounting bracket cannot be used, there is mounting plate part no. 205279 available. It is attached to the door with screws or rivets in a way that the VS 2000 is at the same height on the door frame.

The hook is then installed at the same height as the door damper. The correct position of the hook is given when the rubber roller just slightly touches the front edge of the hook when the roller lever is folded down.

Important: For overlapping doors, you have to bring the hook to the same height as the base plate of the door damper base plate using the supplied compensating plates.

For information on the dimensions of all mounting plates/brackets, see "Installation accessories" on our website.

Vragen?

We'll be happy to help! Just contact us!