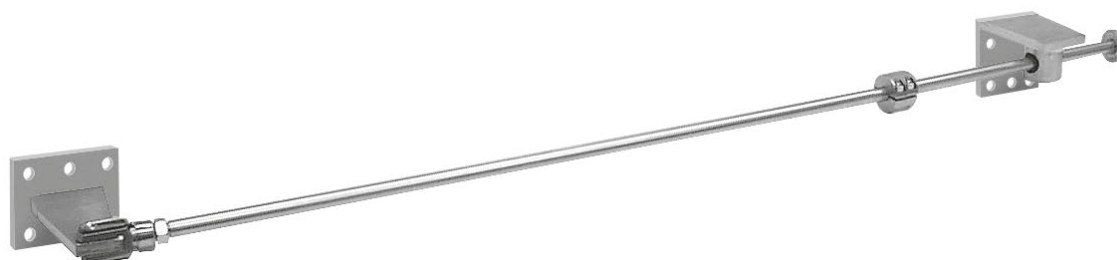


Installation manual

Swing gate travel limiter

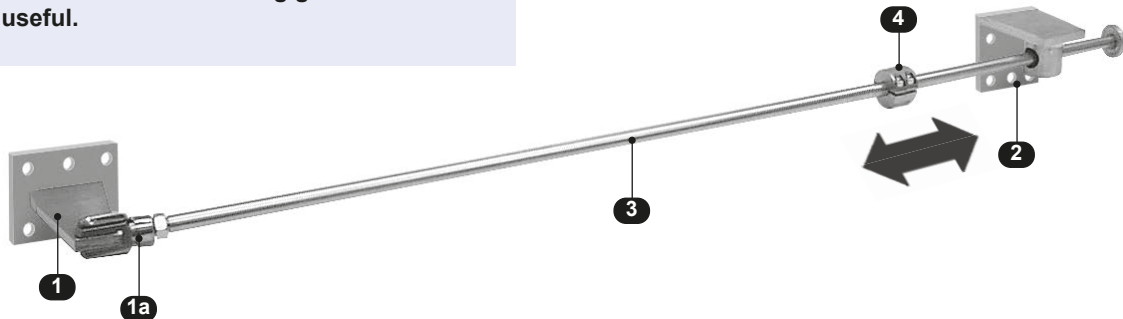


Swing gate travel limiter



Note

- if for construction site reasons a floor limit stop for position "GATE OPEN" or "GATE CLOSED" is not possible then the use of a swing gate travel limiter can be useful.



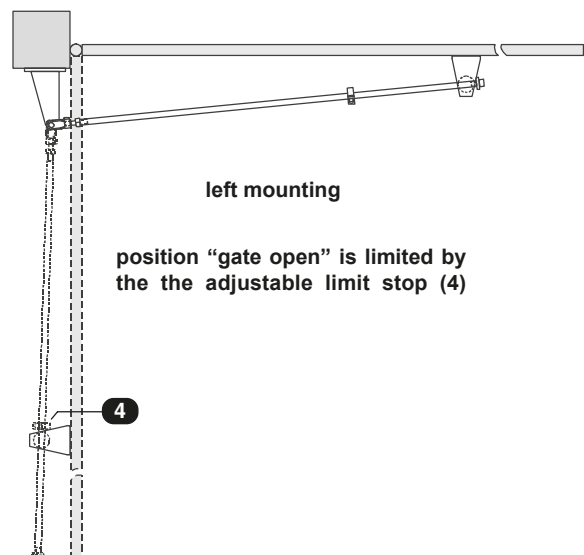
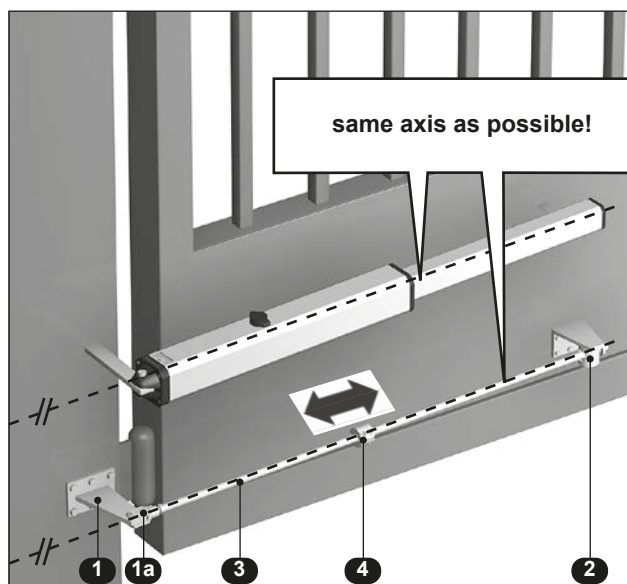
Installation

The swing gate travel limiter can be mounted above or below the mounting parts of the operators.



- leave enough space to the motor mounting parts in order to have a force adjustment on the operator
- the mounting position of travel limiter should be on the same axis as the operator.
- before installation make sure that with the chosen mounting position the opening of the gate is possible without a collision of the distance rod (3) with the gate.
- For outdoor use the two galvanized mounting parts (1+2) have to be provided with a sufficient surface treatment (powder coating, painting)!

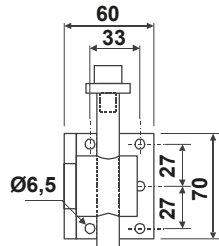
1. bring the gate into "GATE CLOSED" position.
2. fix the rear mounting part (1) taking into account of the above mentioned notes on the gate pillar.
3. bolt the distance rod (3) on the threaded rod at the forked head (1a) (approximately set on center of the available length to allow subsequent fine adjustment in both directions).
4. now slide the front mounting part (2) to the end of the distance rod (3) and fix it to the gate horizontally.
5. adjust the stop for "GATE OPEN" (4) to the desired opening angle that means fixing and sliding on the distance rod.



This manual is the sole property of the TOUSEK Ges.m.b.H. and may not be made available to competitors. All rights reserved. No part of it may be reproduced without our prior written permission. We will not accept liability for any claims resulting from misprints or errors. This edition of the manual replaces all earlier publications of the same.

• measures in mm

front mounting part

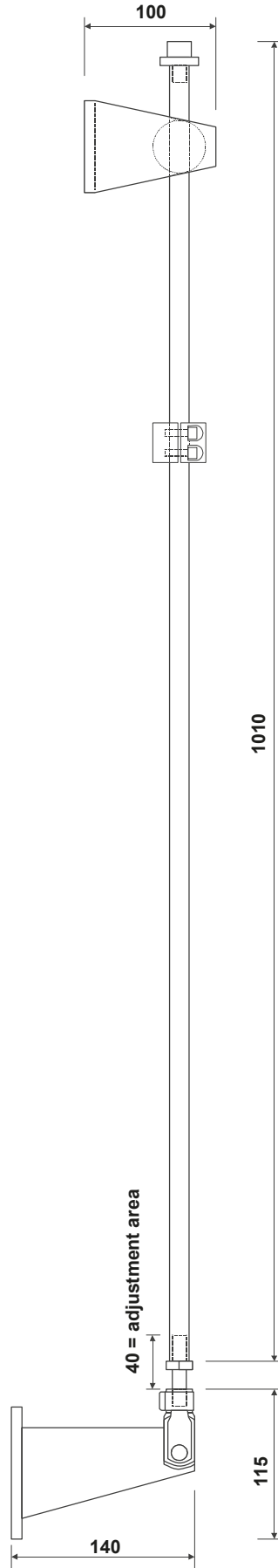
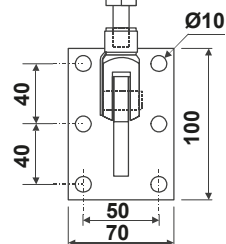


ABOVE

BELOW

limit stops for "GATE OPEN"
(adjustable)

rear mounting part
(pillar side)



We reserve the right to change dimensions and technical specifications without prior notice.

tousek PRODUCTS

- sliding gate operators
- cantilever systems
- swing gate operators
- garage door operators
- folding door operators
- traffic barriers
- electronic controls
- radio remote controls
- key operated switches
- access control
- safety devices
- accessories

Tousek Ges.m.b.H. Austria
A-1230 Vienna
Zetschegasse 1
Tel. +43/ 1/ 667 36 01
Fax +43/ 1/ 667 89 23
info@tousek.at

Tousek GmbH Germany
D-83395 Freilassing
Traunsteiner Straße 12
Tel. +49/ 8654/ 77 66-0
Fax +49/ 8654/ 57 196
info@tousek.de

Tousek Benelux NV
BE-3930 Hamont - Achel
Buitenheide 2A/ 1
Tel. +32/ 11/ 91 61 60
Fax +32/ 11/ 96 87 05
info@tousek.be

Tousek Sp. z o.o. Poland
PL 43-190 Mikołów (k/Katowic)
Gliwicka 67
Tel. +48/ 32/ 738 53 65
Fax +48/ 32/ 738 53 66
info@tousek.pl

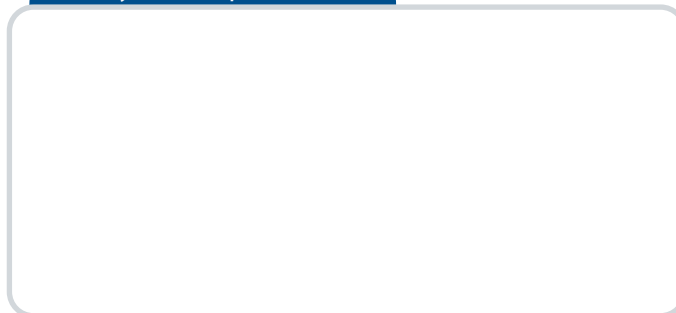
Tousek s.r.o. Czech Republic
CZ-252 61 Jeneč u Prahy
Průmyslová 499
Tel. +420 / 777 751 730
info@tousek.cz

tousek
EN_drehtorwegbegrenzer_40200902
02. 05. 2005



tousek[®]
G A T E A U T O M A T I O N

your service partner:



We reserve the right to change dimensions and/or technical specifications without prior notice. Claims resulting from misprints or errors cannot be accepted.

