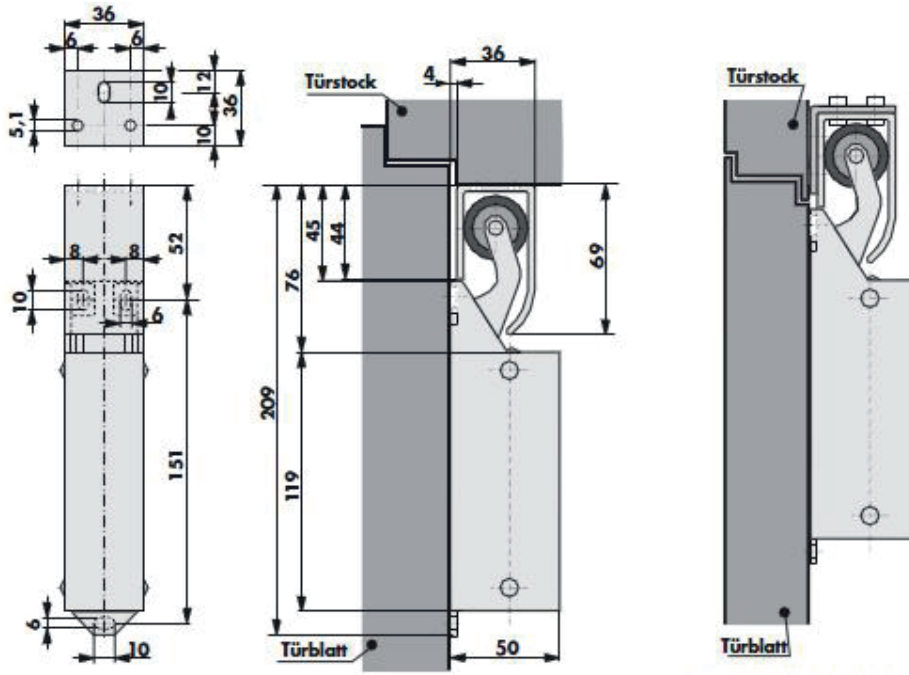


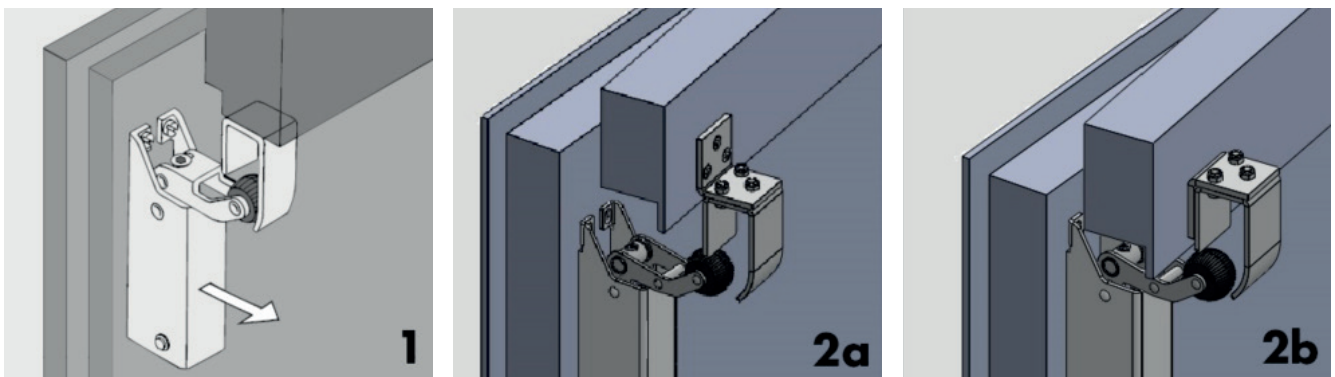
## DIMENSIONS

All dimensions in mm



- Türstock > door frame
- Türblatt > door leaf

## INSTALLATION



The door damper R 1400 is installed on the push side of the door. It can be attached either vertically or horizontally. There are two fixing possibilities for the hook:

- The hook is fixed to the frame from below or horizontally to its side (image 1).
- On flush doors with either a plastic or aluminum frame, the hook can also be attached to the frame using a mounting bracket (images 2a/b).

**Important:** Because the hook hangs down a little, especially in images 1 and 2a, and in order to avoid any risk of injury, the door damper R 1400 should always be installed on the side of the door and not centered.

### Questions?

We'll be happy to help! Just contact us!