

Pull T

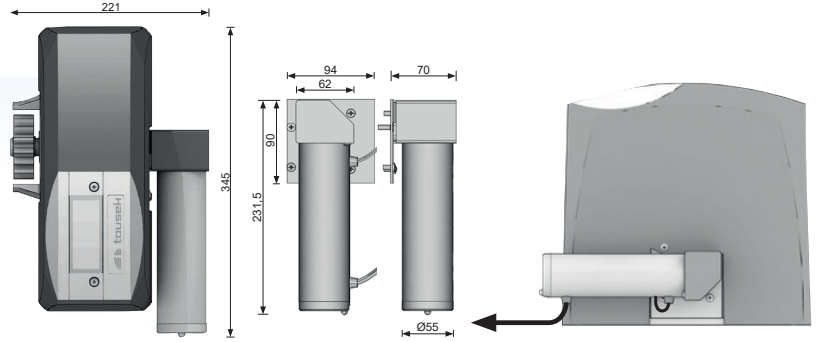
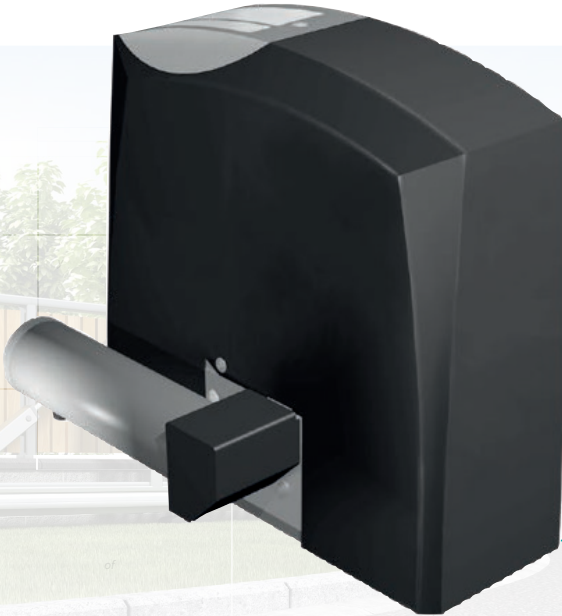
Emergency Motorised Release



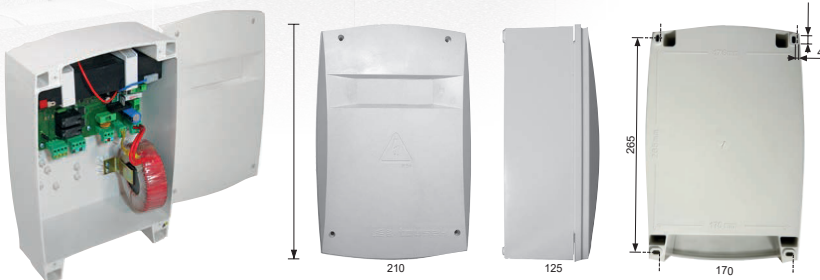
Made in AUSTRIA



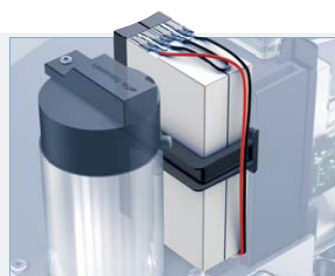
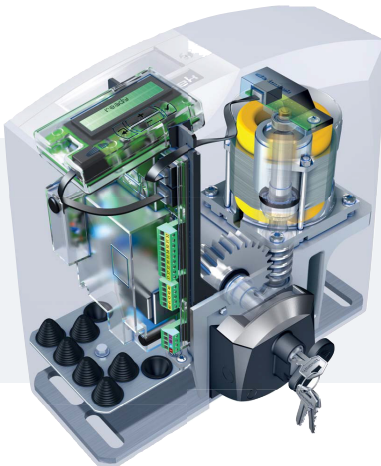
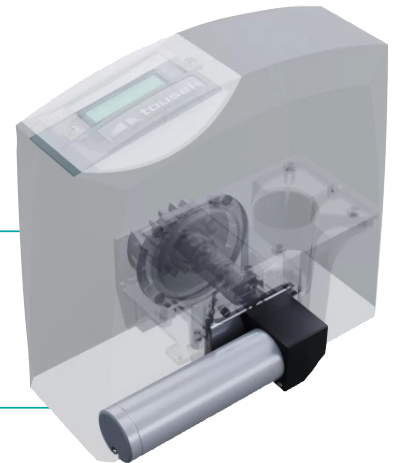
Suits the TOUSEK Pull T8, Pull T10, Pull T15, Pull T4 and T24 range of sliding gate motors



- Release/lock via impulse button or transmitter
- Optional automatic gate release during power outage
- LED Display of battery charge level
- Relay presents current status
- IP54 protection class
- Has Backup Battery For Release



- Allows manual gate opening in the event of power failure
- Perfect solution for when standard manual release is not easily accessed
- Requires its own control box



1300 366 046

sales@global-access.com.au

For more information, visit our website!

global-access.com.au

