

Twist XL

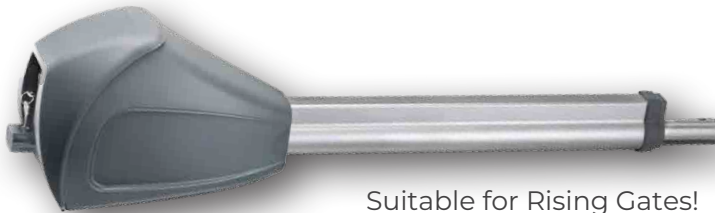


EXTREMELY POWERFUL!
24V Heavy Duty, Swing Gate Operator

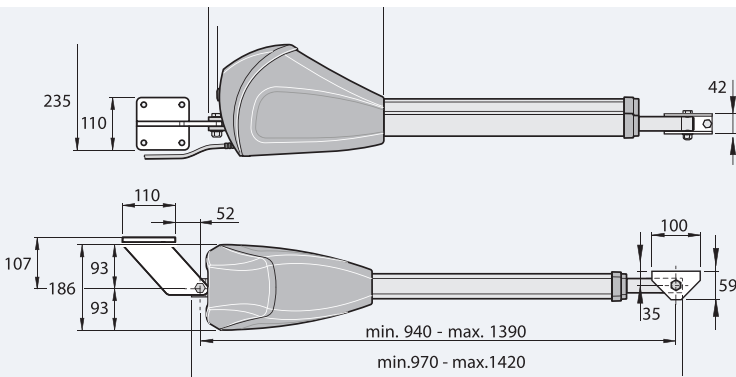
For gates up to 6m



Made in GERMANY



Suitable for Rising Gates!
(*Requires Rising Gate Bracket)



Suited to residential or condominium use



Easily adjustable, in-built limit switches



Bolt on brackets - no welding required



Patent, gear saving brake system that is able to withstand extreme forces



Well suited for heavy gates and/or wind loaded gates



Suitable for solar applications



Automatic locking, prevents the gate from being pushed open manually



Easy to activate manual release function via a key

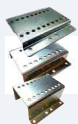


40% use frequency

Model	Control Box	Motor Power	Max Gate Leaf	Max Stroke	Min Side Room	Max Angle	Force (NM)	Single Kit	Double Kit
Standard Control Box		24V	500kg @6m 1000kg @2m	450 mm	200mm	120°	4500	1656-0065	1656-0066
Standard Control Box + Separate Transformer								1656-0044	1656-0045
Large Control Box								1656-0043	1656-0042
Large Control Box + Separate Transformer								1656-0071	1656-0072

Twist XL Operator, Choice of Standard or Large (XXL) Control Box Kit, 2 x 2 Button Transmitters and 2 Channel Receiver

ENHANCE YOUR TWIST XL



Rear Mounting Brackets:
- 25mm: #5825-0030
- 50mm: #5825-0019
- 100mm: #5825-0020



TorMinal Programming Device - #1018-0096
For programming additional devices



Rising Gate Bracket #1612-0001
Max 250kg at 2m opening



Connecting Cable #5825-0022
12m length

POPULAR ACCESSORIES



Telecody+ Keypad
#1018-0124



Wireless Photobeams
#1059-0050



Global Access 24v UPS
#1074-0019



Slide Vibe 4 Button Transmitter
#1018-0191



Tousek Dropbolt
#1045-0030

1300 366 046

sales@global-access.com.au

For more information, visit our website!

global-access.com.au

