

# Twist XL

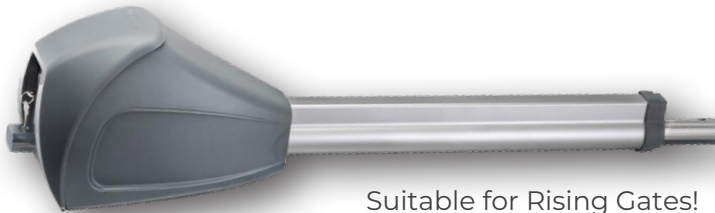


**EXTREMELY POWERFUL!**  
24V Heavy Duty, Swing Gate Operator

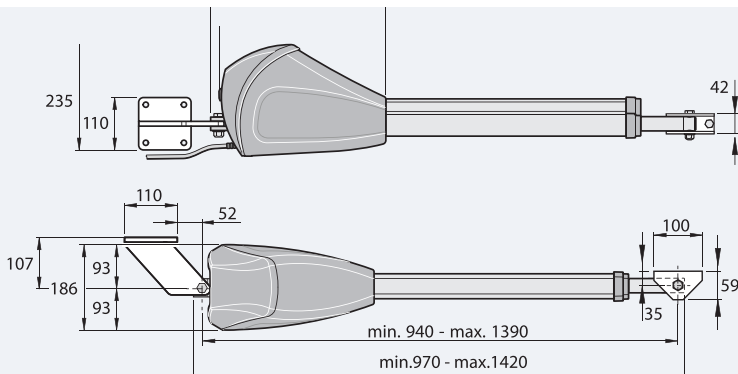
↖ For gates  
↘ up to 7m



Made in  
GERMANY



Suitable for Rising Gates!  
(\*Requires Rising Gate Bracket)



Suited to residential or  
condominium use



Easily adjustable, in-built limit  
switches



Bolt on brackets - no welding  
required



Patent, gear saving brake system  
that is able to withstand extreme  
forces



Well suited for heavy gates and/or  
wind loaded gates



Suitable for solar applications



Automatic locking, prevents the gate  
from being pushed open manually



Easy to activate manual  
release function via a key

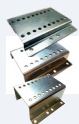


40% use frequency

Model	Control Box	Motor Power	Max Gate Leaf	Max Stroke	Min Side Room	Max Angle	Travel Speed	Single Kit	Double Kit
Standard Control Box		24V	1100kg 7m	450 mm	200mm	120°	15	1656-0065	1656-0066
Standard Control Box + Separate Transformer								1656-0044	1656-0045
Large Control Box								1656-0043	1656-0042
Large Control Box + Separate Transformer								1656-0071	1656-0072

Twist XL Operator, Choice of Standard or Large (XXL) Control Box Kit, 2 x 2 Button Transmitters and 2 Channel Receiver

## ENHANCE YOUR TWIST XL



**Rear Mounting Brackets:**  
- 25mm: #5825-0030  
- 50mm: #5825-0019  
- 100mm: #5825-0020



**TorMinal Programming Device - #1018-0096**  
For programming additional devices



**Rising Gate Bracket #1612-0001**  
Max 250kg at 2m opening



**Connecting Cable #5825-0022**  
12m length

## POPULAR ACCESSORIES



**Telecody+ Keypad**  
#1018-0124



**Wireless Photobeams**  
#1059-0050



**Global Access 24v UPS**  
#1074-0019



**Slide Vibe 4 Button Transmitter**  
#1018-0191



**Tousek Dropbolt**  
#1045-0030

☎ 1300 366 046

✉ sales@global-access.com.au

For more information, visit our website!

[global-access.com.au](http://global-access.com.au)

