

Twist XL Fast

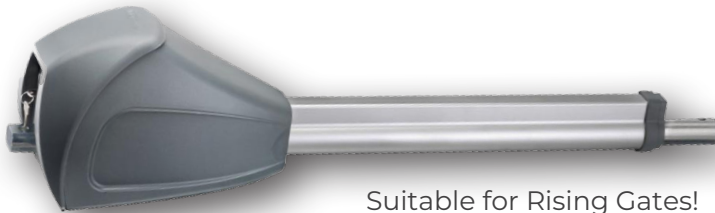


EXTREMELY POWERFUL & FAST!
24V Heavy Duty, Swing Gate Operator

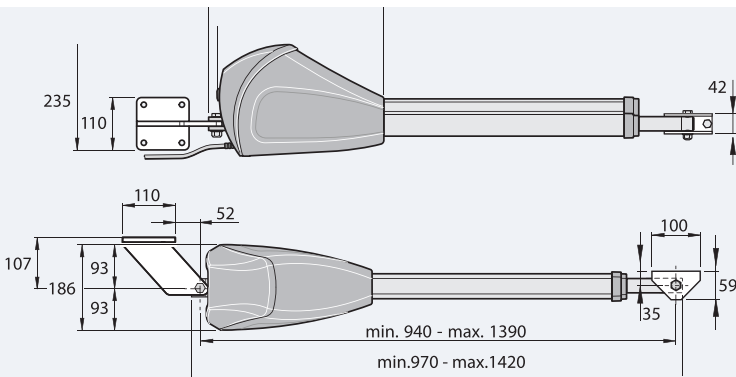
↙ For gates
↘ up to 7m



Made in GERMANY



Suitable for Rising Gates!
(*Requires Rising Gate Bracket)



Suited to residential or condominium use



Easily adjustable, in-built limit switches



Bolt on brackets - no welding required



Patent, gear saving brake system that is able to withstand extreme forces



Well suited for heavy gates and/or wind loaded gates



Suitable for solar applications



Automatic locking, prevents the gate from being pushed open manually



Easy to activate manual release function via a key

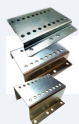


40% use frequency

| Model | Control Box | Motor Power | Max Gate Leaf | Max Stroke | Min Side Room | Max Hinge Depth | Travel Speed | Single Kit | Double Kit |
|--|-------------|-------------|---------------|------------|---------------|-----------------|--------------|------------|------------|
| Twist XL Fast with STD DT-A-1 Control Box | | 24V | 1100kg 7m | 450 mm | 200mm | 180 | 12 | 1656-0095 | 1656-0099 |
| Twist XL Fast with STD DT-A-1 Control Box & Ext. Transformer | | | | | | | | 1656-0096 | 1656-0100 |
| Twist XL Fast with XXL Control Box | | | | | | | | 1656-0097 | 1656-0101 |
| Twist XL Fast with XXL Control Box & Ext Transformer | | | | | | | | 1656-0098 | 1656-0102 |

Twist XL Fast Operator, Choice of Standard or Large (XXL) Control Box Kit, 2 x 2 Button Transmitters and 2 Channel Receiver

ENHANCE YOUR TWIST XL



Rear Mounting Brackets:
- 25mm: #5825-0030
- 50mm: #5825-0019
- 100mm: #5825-0020



TorMinal Programming Device - #1018-0096
For programming additional devices



Rising Gate Bracket #1612-0001
Max 250kg at 2m opening



Connecting Cable #5825-0022
12m length

POPULAR ACCESSORIES



Telecody+ Keypad
#1018-0124



Wireless Photobeams
#1059-0050



Global Access 24v UPS
#1074-0019



Slide Vibe 4 Button Transmitter
#1018-0191



Tousek Dropbolt
#1045-0030

☎ 1300 366 046

✉ sales@global-access.com.au

For more information, visit our website!

global-access.com.au

