

Twist 350 High Speed

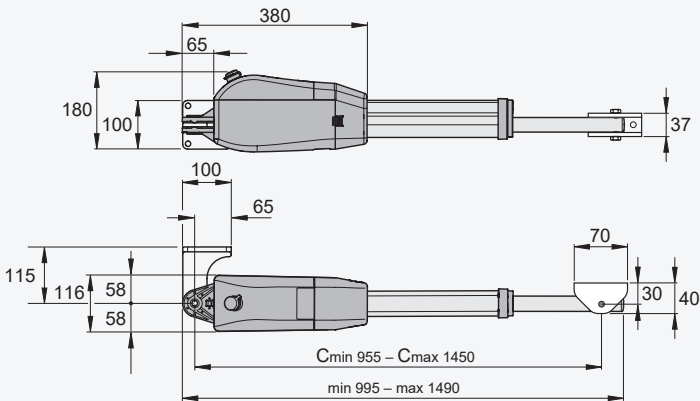


FASTEST WORM DRIVE OPERATOR!
Double the speed of standard Twist 350

↙ For gates up to 3m



 Made in GERMANY



Suited to residential or condominium use



Easily adjustable, in-built limit switches



Bolt on brackets - no welding required



Patent, gear saving brake system that is able to withstand extreme forces



Well suited for heavy gates and/or wind loaded gates



Excellent on solar







Automatic locking, prevents the gate from being pushed open manually



Easy to activate manual release function via a key

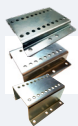


40% use frequency

Model	Control Board	Motor Power	Max Gate Leaf	Max Stroke	Min Side Room	Min Hinge Depth	Travel Speed	Single Kit	Double Kit
Twist 350 High Speed with STD DT-A-1 Control Box		24V	300kg 3m	450 mm	120mm	200	7	1656-0082	1656-0078
Twist 350 High Speed with STD DT-A-1 Control Box & Ext. Transformer								1656-0083	1656-0079
Twist 350 High Speed with XXL Control Box								1656-0084	1656-0080
Twist 350 High Speed with XXL Control Box & Ext Transformer								1656-0085	1656-0081

All kits include Twist 350 High Speed Operator, Choice of Standard or Large Control Box Kit, 2 x 2 Button Transmitters and 2 Channel Receiver

ENHANCE YOUR TWIST 350 HIGH SPEED



Rear Mounting Brackets:
- 25mm: #5825-0030
- 50mm: #5825-0019
- 100mm: #5825-0020



TorMinal Programming Device - #1018-0096
For programming additional devices



Rising Gate Bracket #1612-0001
Max 250kg at 2m opening



Connecting Cable #5825-0022
12m length

POPULAR ACCESSORIES



Telecody+ Keypad
#1018-0124



Wireless Photobeams
#1059-0050



Global Access 24v UPS
#1074-0019



Pearl 4 Button Transmitter
#1018-0092



Tousek Dropbolt
#1045-0030

☎ 1300 366 046

✉ sales@global-access.com.au

For more information, visit our website!

global-access.com.au

