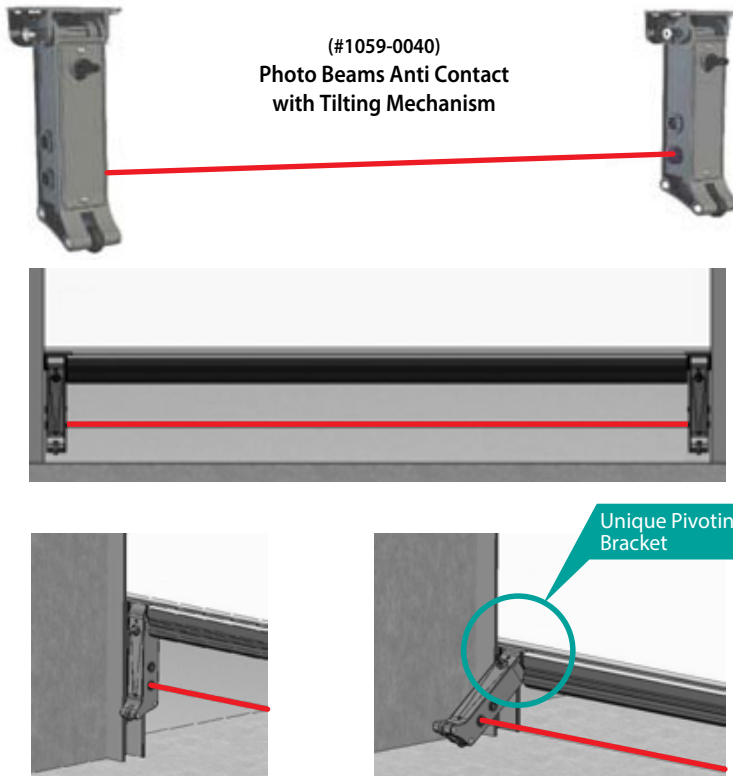


Suitable for openings up to 8m Max.



★★★★★
PREMIUM QUALITY

MADE IN ITALY

This kit was created to increase the safety of automation such as garage roller doors and entrances.

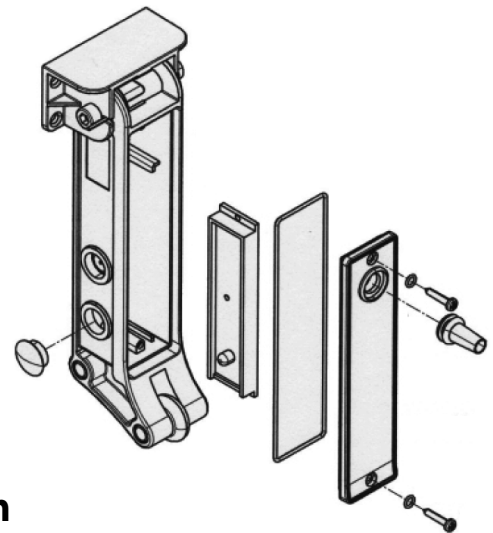
The kit prevents the door coming into contact with an object or obstruction that breaks the beam, perfect for the early detection of a vehicle, or even a person as the beam is positioned approximately 13cm from the edge of the garage door.

The kit is not affected by vibration or external temperature, and offers the highest level of protection for property and person.

Hard wired sender and receiver supplied.

TECHNICAL DATA

Power supply	12 OR 24V AC/DC (Selectable by a jumper)
Absorbtion	60mA nearly to 24 V ac
Detection Range	Up to 10m Max.
Reach of contact relay	1A to 24 Vac
Led transmitter signal	power supply on
Led receiver signal	Indicated by Red LED light
IP Rating	IP54
Dimensions	210mm x 40mm x 35mm



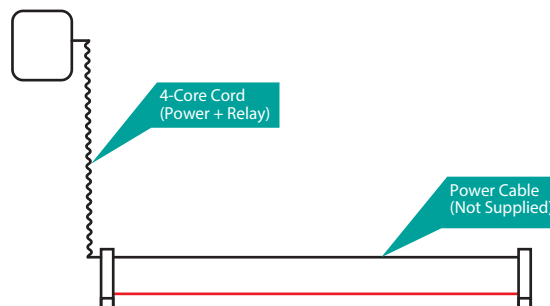
Optional Spiral Cord x 1



(#1013-0020)

4-Core cord provides power and trigger to the TX Beam

Example Installation



Please contact us and we will be happy to assist you and discuss your application

1300 366 046 global-access.com.au