

## DICTATOR Release Buffer for Sliding Doors in Wall Pockets

When opened many sliding doors disappear in so-called wall pockets. This is the optimum solution - if there wasn't the problem of the door handle for closing the door no longer being accessible. But in case the door is not opened completely, precious width of the passage is lost. In the worst case, especially for barrier-free building this could require a broader, more expensive door.

The DICTATOR release buffer is a simple and reliable solution of this problem.

Usually the release buffer is mounted (invisible) in the opening edge of the door. When opening the door the magnet buffer on the piston rod hits a counter plate. This at the same time keeps the door in the open position. If you want to close the door, you just have to push lightly against its edge and the integrated spring will push the door out of the wall pocket that far that the handle is accessible again.

The release buffer is available with two different spring forces. Usually the model with 85 N will be sufficient. The stronger version should only be chosen if the door is not smooth-running, e.g. when a brush seal is mounted.



### Technical Data

Stroke	20 mm
Extension force	approx. 85 N / 130 N
Material tube	aluminium
Material counter plate, piston rod	zinc-plated steel

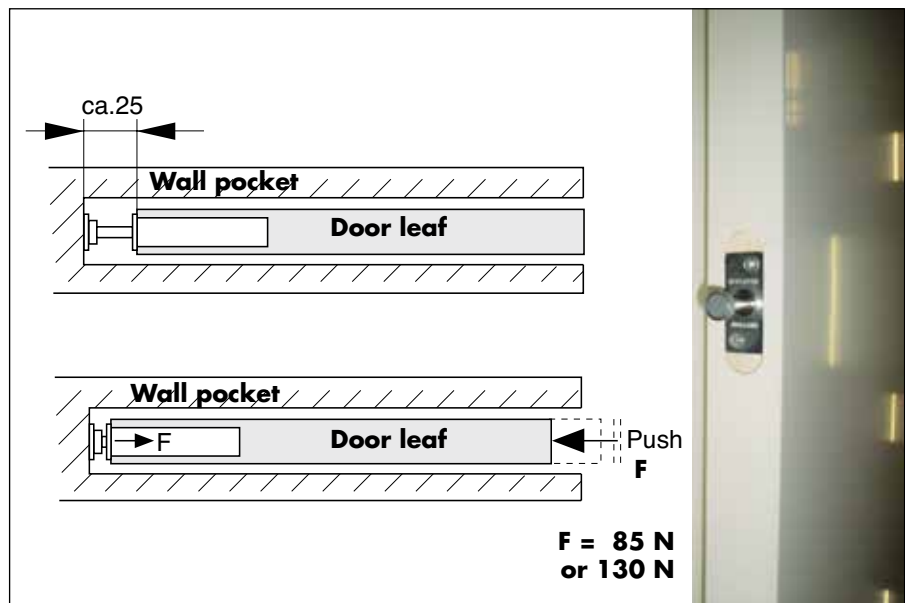


### Mounting, Dimensions, Order Information

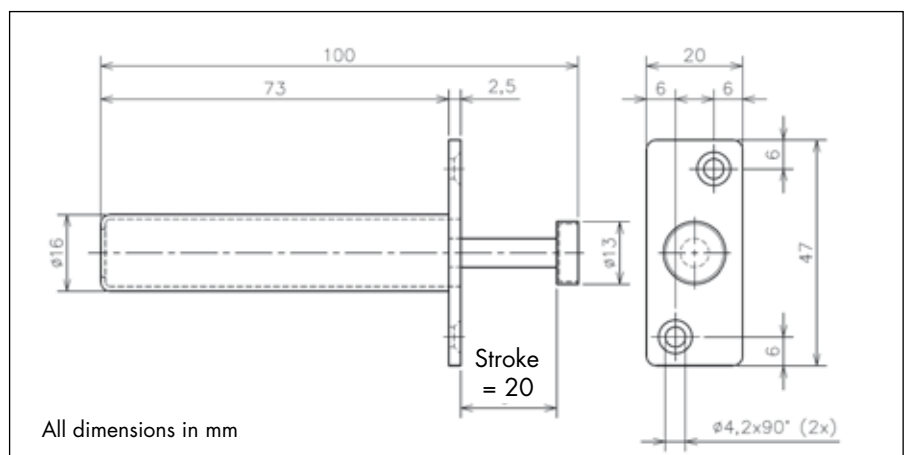
The release buffer is usually mounted in the opening edge of the door leaf. This requires a corresponding boring in the door leaf. Unless it is a frame from steel, the included counter plate has to be mounted as a counter part. It is needed for the magnet at the end of the piston rod that keeps the door safely in the open position.

In the wall pocket behind the opened door you only need a space of 25 mm for the release buffer.

### Mounting



### Dimensions



### Components Included

Release buffer with counter plate and fixing screws

### Order Information

Release buffer with 85 N extension force	part no. 500260
Release buffer with 130 N extension force	part no. 500262